

Designed for Class A and Class B foam applications, the 2000 series of proportioners delivers greater flow capabilities than the 1600 series. In addition, the panel-mounted digital control module offers easy to use, push button control. Real time flow and proportioning performance information is displayed by ultra-bright LED readouts. The system features fully automatic foam proportioning, regardless of changes in flow or pressure, and delivers unmatched accuracy over the entire flow range. Proportioning is continuous with no need to stop for foam tank refill. Three models are available, differing in concentrate capacity: the 2001 at 2.6 gpm, the 2002 at 5.0 gpm, and the 2024 (24 VDC only) at 6.3 gpm. Foam concentrate is delivered by a triplex plunger pump and motor (12 or 24 VDC) assembly. The optional advanced feature controller offers “auto-on” programming.

2000 Series

(Class A and/or B Foam)

Ideal for use on:

- Municipal pumpers
- Fast attack/wildland vehicles
- Marine and shipboard system
- Compressed Air Foam Systems

System features and benefits:

- Fully automatic-on demand
- Discharge side injection
- No in-line restrictions, greater flow
- Unmatched accuracy over the widest range of flow
- Smoothest proportioning available at ultra-low flow
- Leading the industry in proven reliability
- Proportions continuously, with no stopping to refill
- Delivers 0.01 to 6.3 gpm (0.04 - 24 L/min)
- Injection pressure to 400 psi (27.6 BAR)
- Achieves full pump capacity with all known Class A, Class B, AFFF, and most Class B AR-AFFF
- Installs easily in new or existing apparatus

Control module features:

- Ultra-bright LED digital readout
- Injection percentage from 0.1% to 10.0%
- Display following information:
 - Low concentrate/ No concentrate warning
 - Water flow rate
 - Total water used
 - Injection percentage
 - Total concentrate used
- Dual-tank capability and calibration
- Displays separate totals for each tank
- Calibrate for each concentrate

Options:

- Concentrate Management Systems
- Advanced Feature Controller - Auto On
- MultiFlo
- Remote Start/Stop for pump and roll applications
- Dual-Injection Selector
- Solid State Contactor
- Flow sensors, check valves, manifolds
- Low-Level Sensors



Low-level sensor, flow sensor & check valve pictured.

Series

2000

2000 Series

Foam Pump:	Triplex Plunger Pump
Foam Output:	2.6 gpm @ 150 psi - (9.84 L/min @ 10.3 BAR) 2001 5.0 gpm @ 125 psi - (18.9 L/min @ 10.3 BAR) 2002 6.3 gpm @ 218 psi - (24 L/min @ 15 BAR) 2024 (24 VDC only)
Pump Motor:	1/2 hp (.40 Kw) 12 and 24 volt DC - 2001 3/4 hp (.56 Kw) 12 and 24 volt DC - 2002 1-1/2 hp (1.12 Kw) 24 volt DC Only - 2024
Maximum Operating Pressure:	400 psi (27.6 BAR) STD 600 psi (41.4 BAR) Optional
Maximum Operating Temperature:	160°F (71°C)
Maximum Amp Draw:	41 amps @ 12 volt DC - 2001 60 amps @ 12 volt DC - 2002 22 amps @ 24 volt DC - 2001 30 amps @ 24 volt DC - 2002 60 amps @ 24 volt DC - 2024 (24 VDC Only)

System Capacity

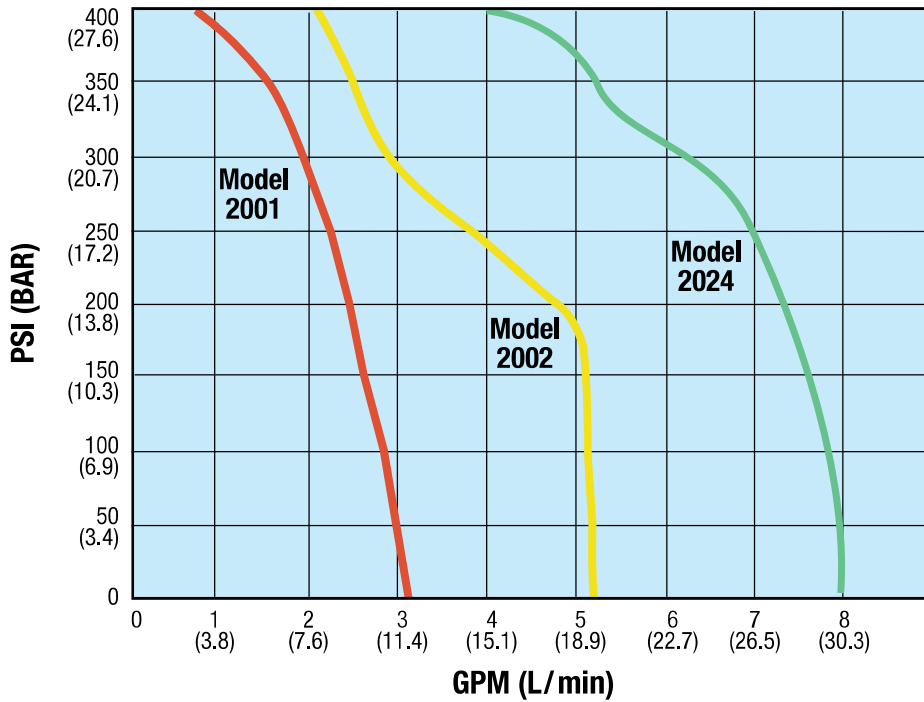
Foam Concentration	2001 Maximum Water Flow GPM (L/min)	2002 Maximum Water Flow GPM (L/min)	2024 Maximum Water Flow GPM (L/min)
0.2%	1,300 (4,921)	2,500 (9,464)	3,170 (12,000)
0.5%	520 (1,968)	1,000 (3,785)	1,268 (4,800)
1.0%	260 (984)	500 (1,893)	634 (2,400)
3.0%	85 (322)	166 (628)	211 (800)

2000 Series Attack Capability

Class A Foam Concentration	2001 Maximum Coverage per Critical Application Rate cu.ft. (cu.m)	2002 Maximum Coverage per Critical Application Rate cu.ft. (cu.m)	2024 Maximum Coverage per Critical Application Rate cu.ft. (cu.m)
0.2%	130,000 (3,681)	250,000 (7,079)	317,000 (8,976)
0.5%	52,000 (1,472)	100,000 (2,831)	126,800 (3,590)
1.0%	26,000 (736)	50,000 (1,415)	63,400 (1,795)
Class B Foam Concentration	Hydrocarbon @ 0.10 gpm/sq.ft. (0.37854 LPM/sq.m) sq.ft (sq.m)		
1.0%	2,600 (241)	5,000 (464)	6,340 (589)
3.0%	850 sq. (78)	1,660 (154)	2,110 (196)
	Polar Solvent @ 0.20 gpm/sq.ft. (0.757 LPM/sq.m)		
3.0%	425 (39)	830 (77)	1,055 (98)

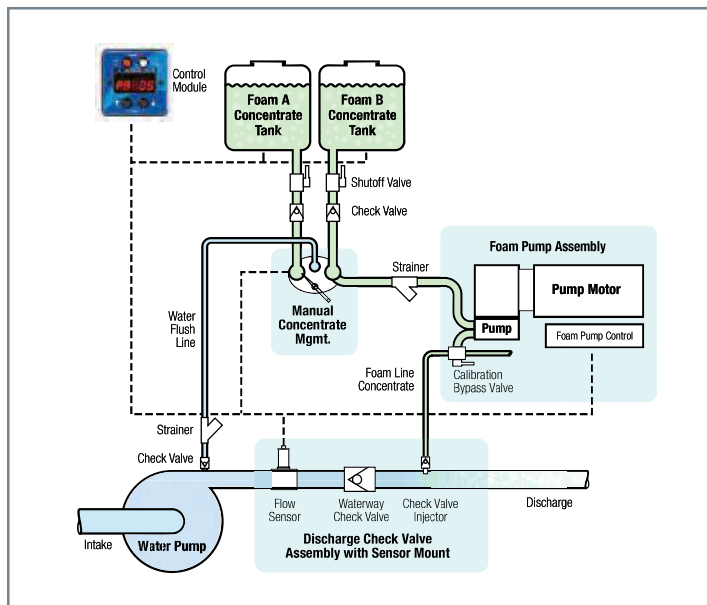
Series 2000

Performance for 2000 Series



System Diagrams

2000 Series with **Manual Concentrate Mgmt System**



2000 Series with **Electronic Concentrate Mgmt System**

